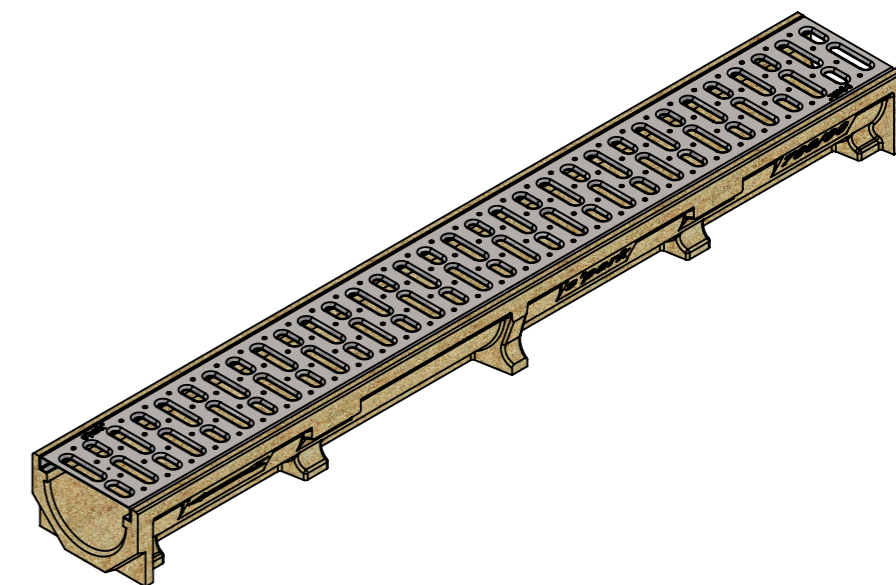
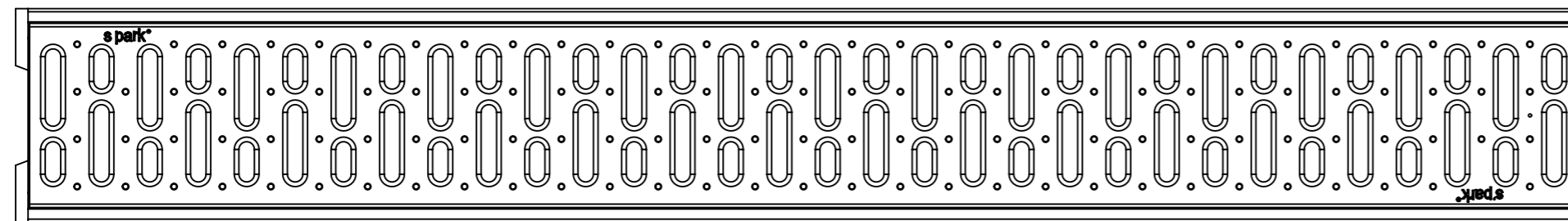
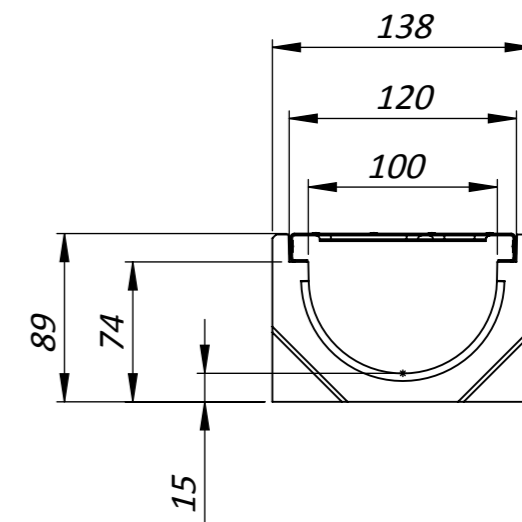
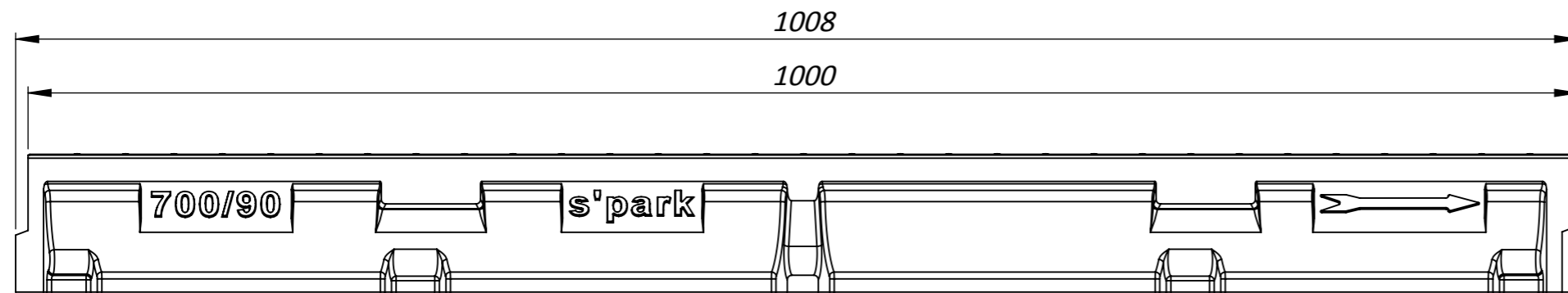


Primary Usage
Reference No.
Sign. and date
Copy inv. No.
Repl. Inv. No.
Sign. and date
Orig. Inv. No.

LV-10.14.09-P 07001/90



1. Area of water intake slots 225 sq cm
2. Deviation of the actual weight of the nominal can be up to 10%

					Art.	07001/90				
					LV-10.14.09-P 07001/90					
					Polymer Concrete Channel with RV OS Load Class A			Let.	Weight	Scale
									6.28	1:4
								Sheet	Sheets 1	
					Polymer Concrete, Galvanized Steel					