

LV-10.14.07-PP - 08818

Primary Usage

Reference No.

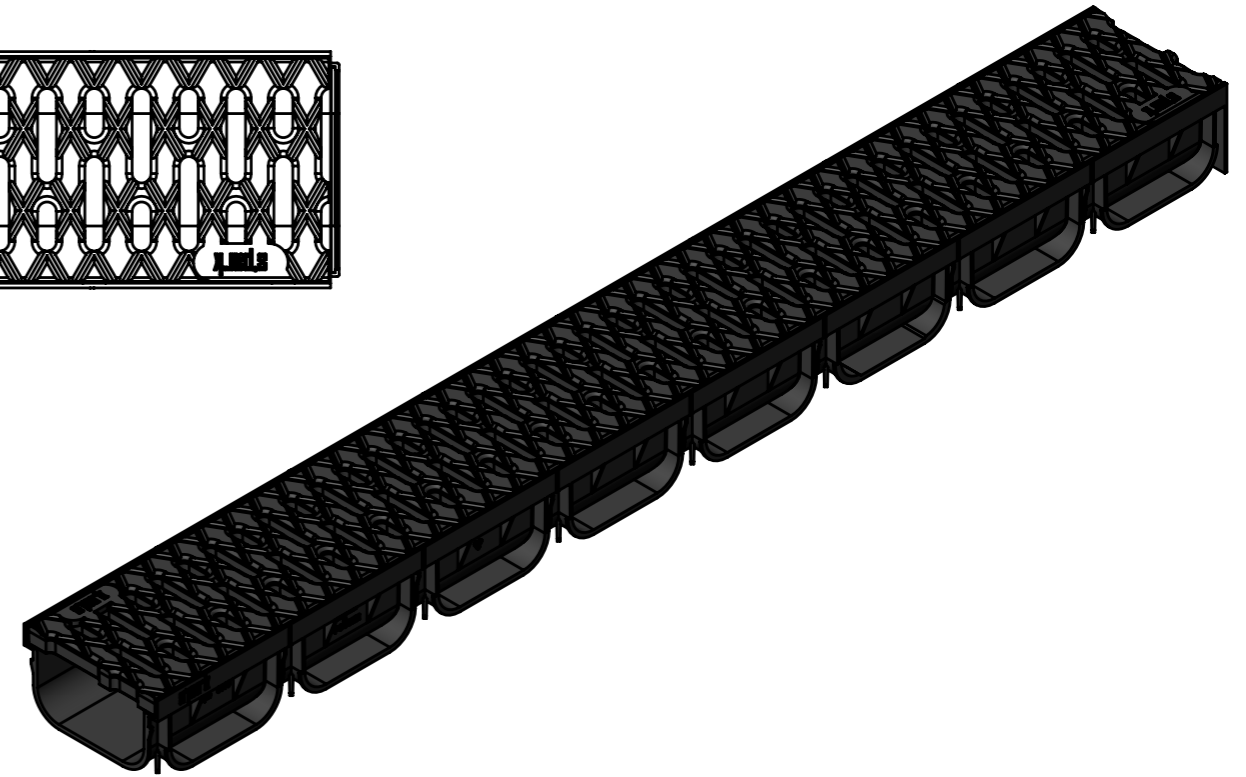
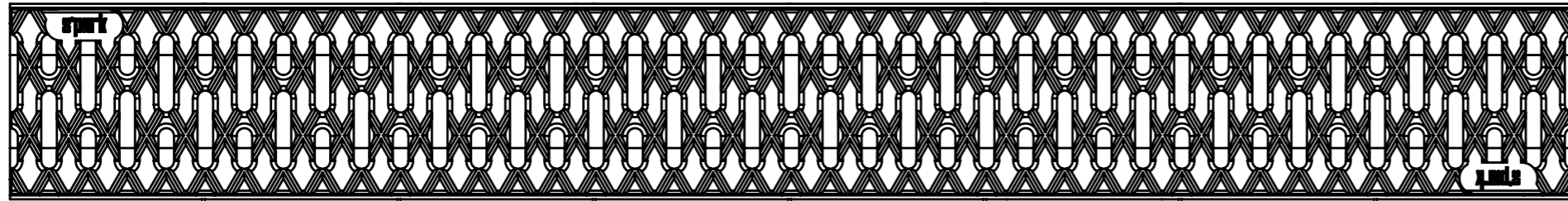
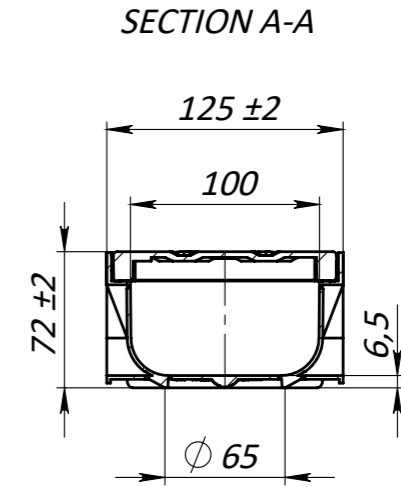
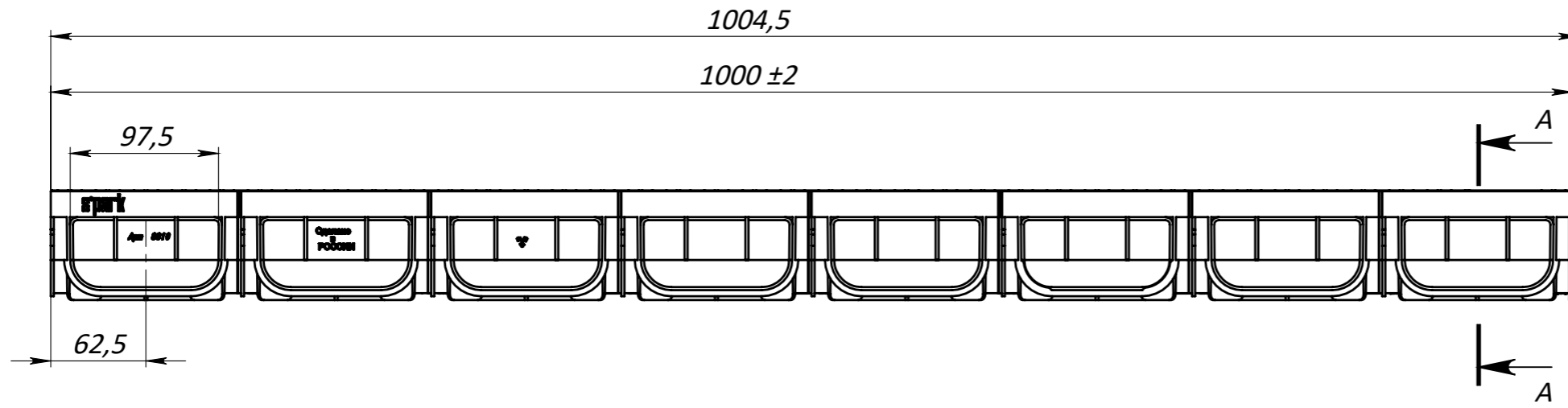
Sign. and date

Copy inv. No.

Repl. Inv. No.

Sign. and date

Orig. Inv. No.



1. Area of water intake slots 270 cm²

					Art.	08818				
					LV-10.14.07-PP - 08818					
					Plastic Channel Spark with grating slotted			Let.	Weight	Scale
					Load Class A				1.17	1:4
								Sheet	Sheets 1	
					Plastic					