

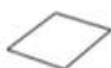
E4450

FEATURES



- Stainless Steel: AISI 304 – 18/10
- Polished on top or all polished
- Bowl dimensions: see drawing
- External dimensions: see drawing
- Thickness: 0,7mm
- Available w/ basket waste or 60mm waste
- **Cardboard protector in pallet.**

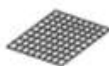
Pia Polida | Polished Bowl
Seno Pulido | Cuve Poli



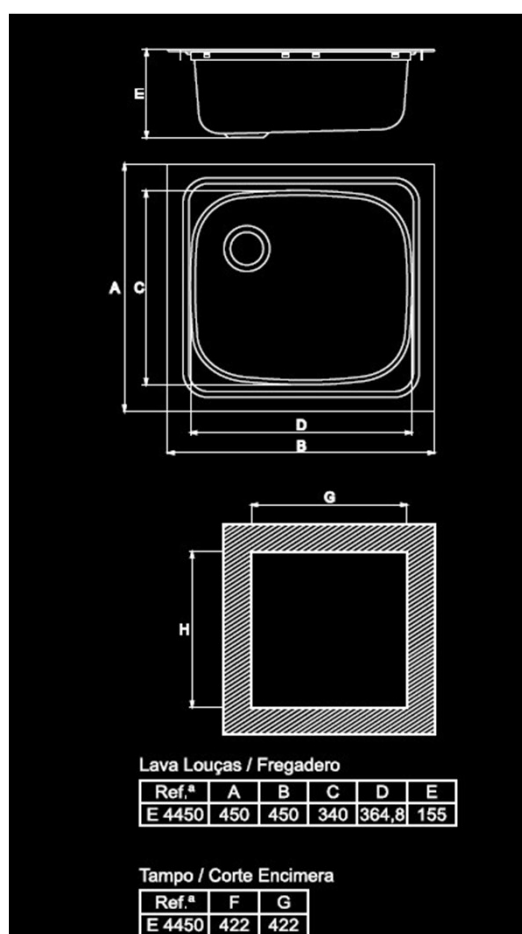
Pia não Polida | Not Polished Bowl
Seno non Pulido | Cuve non Poli



Texturado | Textured
Texturado | Texturet



Encastrar | Sit On
Encastrar | Encastrable



Precautions to be taken into account for its conservation:

- Cleaning products indicated for the Stainless Steel are: the soap, detergents soft and / or neutral. Apply with a soft cloth or a sponge of fine nylon, rinse with abundant water and dry with soft cloth.

Never use abrasive acids because they deteriorate the surface of the sink,

- Do not use wipes metal, straw-of-steel to clear the surface of the sinks;
- Glues, paints and cement, in contact with the sinks, will cause the corrosion of steel.

ATTENTION: beware of sharp metal edges before and during the installation!

• EN13310:2015



INAREL assigns a 15-year warranty to all stainless steel solutions, when good basic cleaning and maintenance practices are adopted.

INAREL

Inarel, Indústria de Lava-Louças Inox e Artesanato, SA